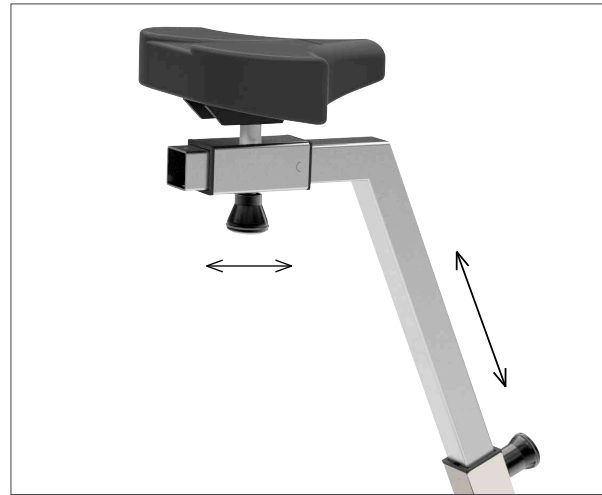




## motion cardio line 200 med (black)



Horizontally and vertically adjustable seat position.



Low step through for users with limited mobility.

## motion cardio line 200 med (black)

On repeated customer request, we enlarge our product range by a „small line“. Reduced to the essential machines and the indispensable functions of a medically approved training machine, we will offer a so called motion line 200 med. The machines apply to the medical regulation of 93/42 EEC and will be equipped with a coded Polar (R) receiver, three training programs (one is heart rate controlled) and a RS232 interface. With these features, they are suitable for high quality training and can be integrated into various systems via the interface.

### motion cycle 200 med

small, sturdy, intelligent, medically certified.

This machine will be produced as of february 2015.

### motion body 200 med\*

Essential in therapeutical use for stamina or movement training.

### motion cross 200 med\*

Total body exercise - solid for every use.

\* will be produced as of second/third quarter 2015.

# motion cardio line 200 med (white)



The motion line 200 med comes up with a new display layout and a standard monochrome backlight.



Chipcard reader for a precise training kartenleser für eine genaue Trainingssteuerung mit oder ohne dazugehörige PC-Software

## Standard Features

- Backlight
- RS232-Interface
- 3 Training programs
- Certified according to 93/42 EEC
- Chipcard system
- Coded Polar (R) receiver
- Power range: 25 — 300 Watt, 20 — 120 U/min
- grid independent

**emotion fitness GmbH & Co. KG**  
Trippstadter Str. 68 · 67691 Hochspeyer · Germany  
**www.emotion-fitness.de**

T: +49 (0) 6305.71499-0  
F: +49 (0) 6305.71499-111

**info@emotion-fitness.de**